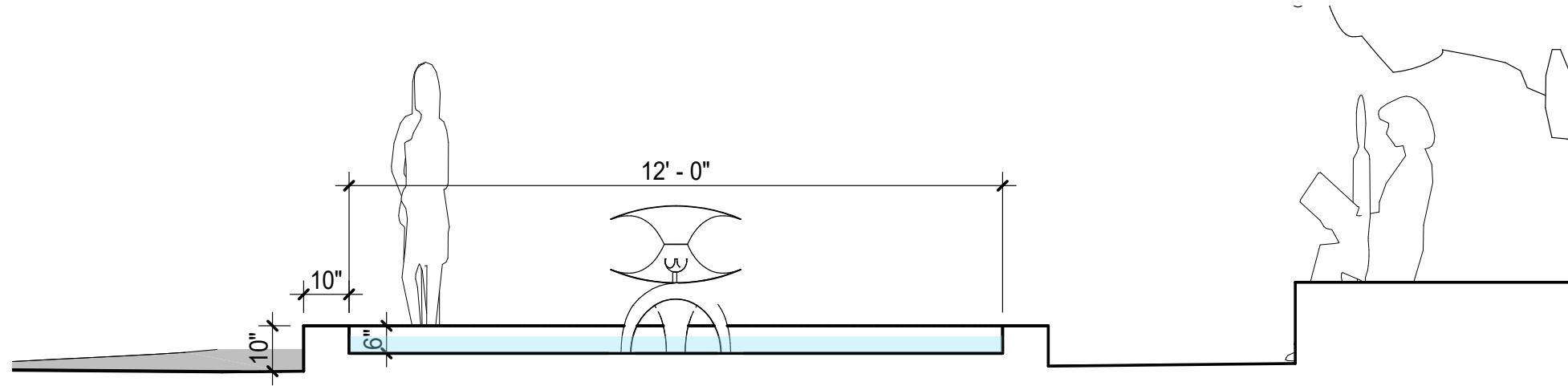


Fountain Design

Fountain Preferred Design



Basin Edge:

Ring has small, low profile

- Does not compete with or overwhelm the lines of the delicate sculpture
- Low profile is period appropriate with the sculpture

Paving textures/ colors:

1. Gray concrete with small exposed aggregate
2. Gray concrete with tooled, corduroy texture
3. Larger, rounded exposed aggregate or seeded concrete (basin floor and ring)
 - Visual cue for ring and basin
 - Activates fountain when empty
 - Camouflages supply and return fittings

